



**E-Lites PRO Series**

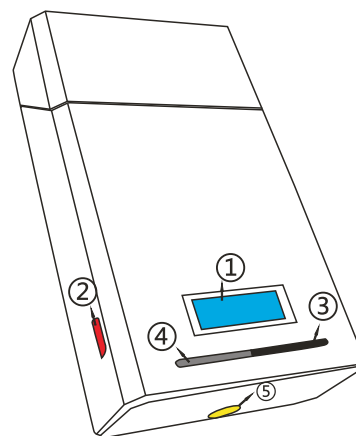
[www.E-Lites.co.uk](http://www.E-Lites.co.uk)

**User manual**

Please read carefully before use

### E-PRO 3 Pack Contents:

- 2 Batteries (1 Red, 1 Green LED)
- 1 Atomizer
- 1 USB Charging cable
- 1 Wall Plug Adaptor
- 1 PRO3 Charging Pack
- 2 Regular Strength Nicotine Cartridges



- ① Power Display
- ② USB port (for charging Cable)
- ③ Charger Button
- ④ Torch Button
- ⑤ LED Torch

### ① LCD Explanation



### ② How To Charge Pack:

- With the wall adaptor
- With your PC or Laptop
- With your car! (Car Charger Sold Separately)

### ③ Charging the batteries

- Screw the Cigarette Battery into the pack
- Press and hold the Charging Button (3) for 3 seconds until the cigarette battery flashes.
- If the LCD display stays BLUE the battery is full
- If the LCD display turns RED the battery is charging

- Press the Charging Button again in 2 hours and it will stay BLUE, showing the battery is fully charged

### ④ Led torch

- Press the Torch Button (4) for 3 seconds to turn the torch on permanently.
- To turn off, simply press the Torch Button again once.



**E-Lites®**

[www.E-Lites.co.uk](http://www.E-Lites.co.uk)